

4

3

2

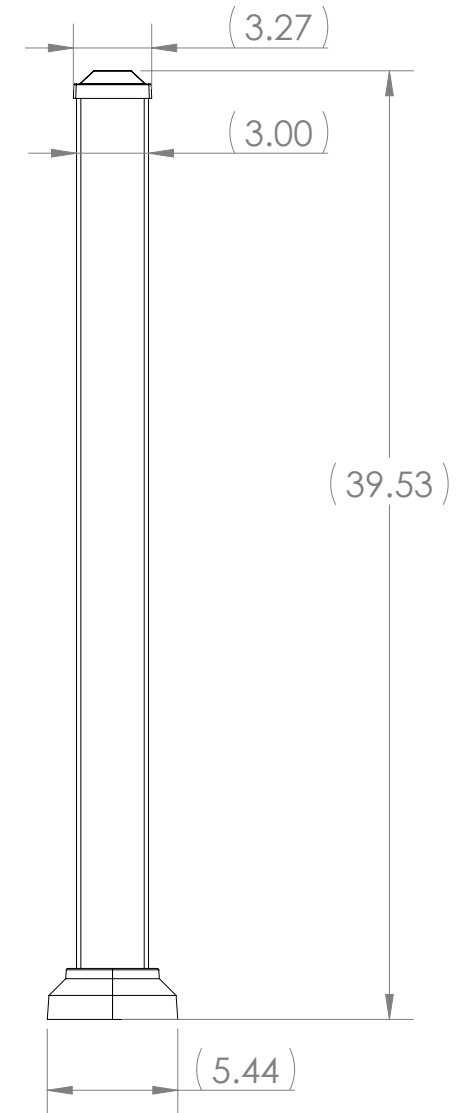
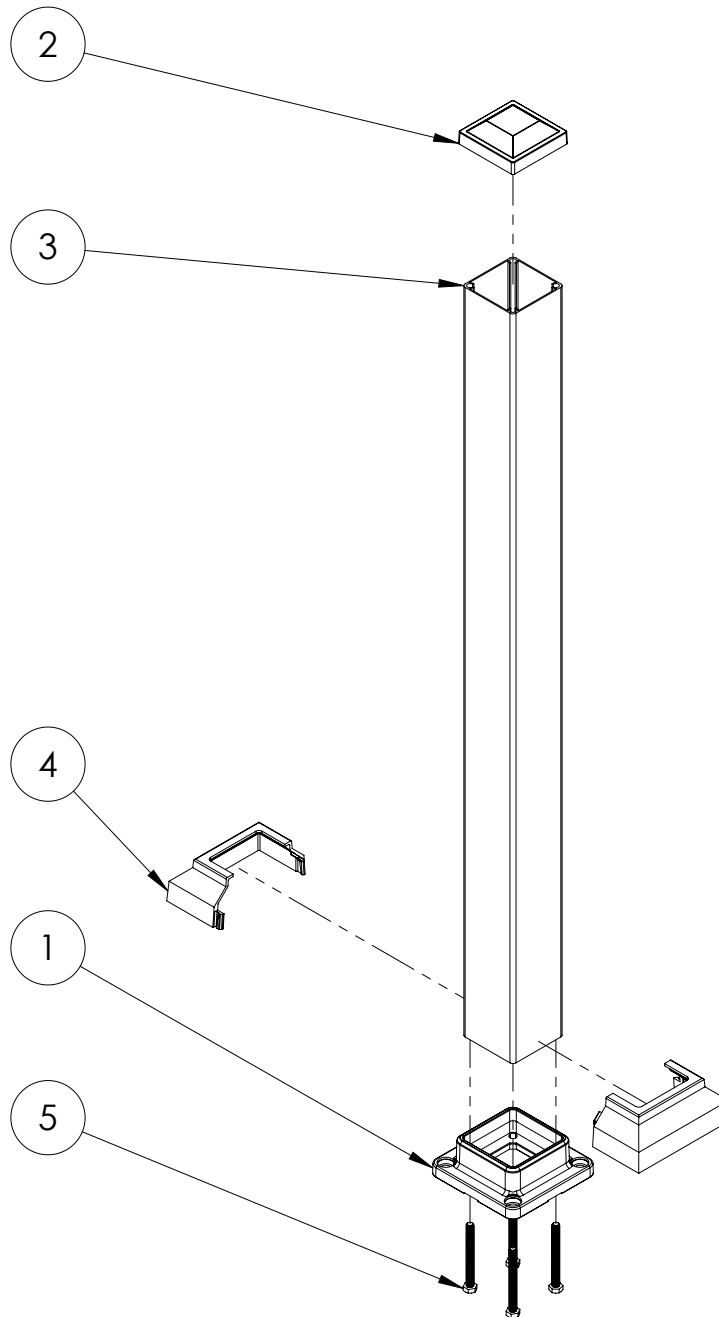
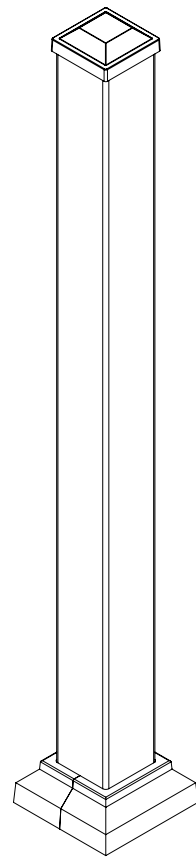
1

ITEM NO.	PART NUMBER	DESCRIPTION	QTY.
1	BP04450	3" BASE PLATE	1
2	CC04430	3" POST CAP	1
3	PO843300	3" X 36" POST	1
4	BC015305	3" POST SKIRT	1
5	SS009880	M8 X 80 POST BOLT SS	4

REVISIONS - BALLOONS DENOTE CHANGES			
REV.	DESCRIPTION	DATE	APPROVED
A		02/03/2025	ZAG

B

B



A

A

NOTES:
1. THIS IS FOR A 36" SYSTEM

UNLESS OTHERWISE SPECIFIED:		NAME	DATE	
DIMENSIONS ARE IN INCHES		DRAWN	VINH 02/03/25	
TOLERANCES:		CHECKED		
FRACTIONAL ±		ENG APPR.		
ANGULAR: MACH ± BEND ±		MFG APPR.		TITLE: SHOP DRAWING, ARIA 3" X 36" DECK END POST
TWO PLACE DECIMAL ±				
THREE PLACE DECIMAL ±				SIZE DWG. NO. REV B A
INTERPRET GEOMETRIC TOLERANCING PER:		THIRD ANGLE PROJECTION:		
MATERIAL		PROPRIETARY AND CONFIDENTIAL THE INFORMATION CONTAINED IN THIS DRAWING IS THE SOLE PROPERTY OF UltraLox. ANY REPRODUCTION IN PART OR AS A WHOLE WITHOUT THE WRITTEN PERMISSION OF UltraLox.		SCALE: 1:12 WEIGHT:
FINISH				SHEET 1 OF 1
DO NOT SCALE DRAWING				

4

3

2

1