

### STEP 3 – Secure Stair Panel to Posts

Once the stair panel attach clips have been installed, re-attach the lower 3" post to the bottom step or landing. Place the stair panel onto the lower stair panel attach clips (Dia. 6).

When lower extrusion is fully seated on lower clips, insert stair panel attach clips into upper extrusion. Secure attach clips to post with 2-#8x3/4" Self-tapping screws, then secure upper extrusion to stair panel attach clip with 2-#8x3/4" Self-tapping screws. (Dia. 7) Repeat this same procedure for bottom post, upper extrusion.

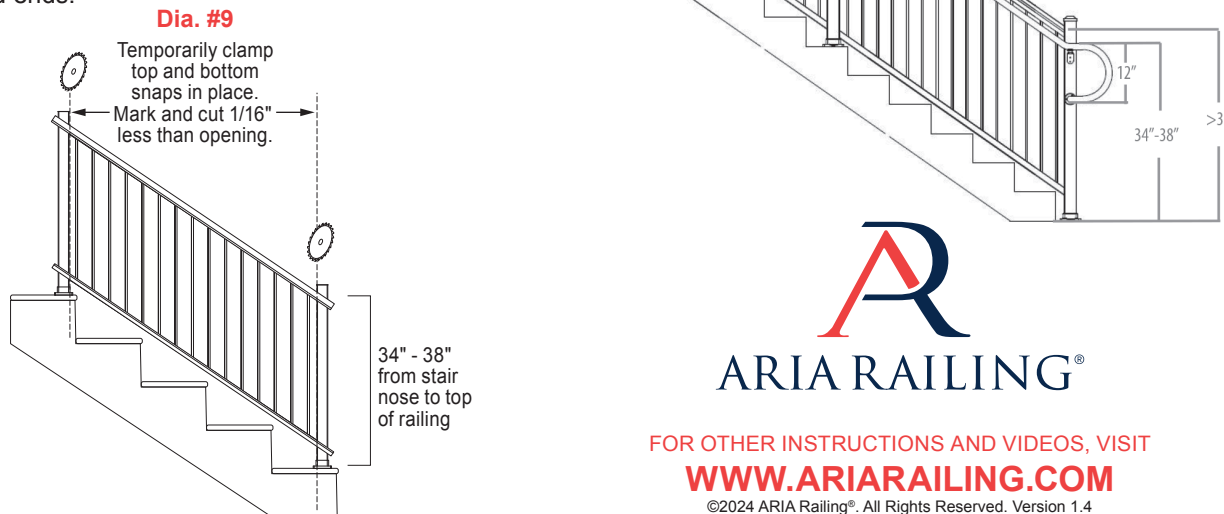
When upper extrusion is secured to attach clips, return to lower extrusion and secure lower extrusion to lower stair clips with 2-#8x3/4" Self-tapping Screws at upper post and 2-#8x3/4" Self-tapping Screws at lower post. (Dia. 8)

### STEP 4 – Install Top and Bottom Snap Covers

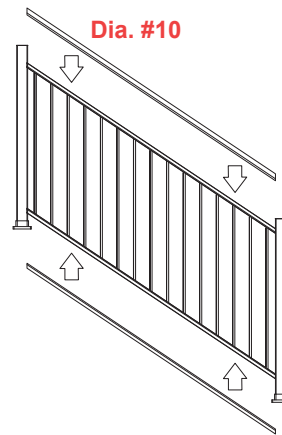
Following the same angle as the secured stair panel, clamp or hold top/bottom rail snaps against 3" posts (Dia. 9). Using a sharp #2 pencil, mark the top/bottom rail snaps at all four (4) locations.

Remove clamps and cut top/bottom rail snaps at all four (4) locations. Take care to cut snaps at appropriate stair angle. Use of Miter saw with a sharp non-ferrous blade is recommended. Cut 1/16" less than opening size.

Clean cut areas and apply touch-up paint on all exposed ends.

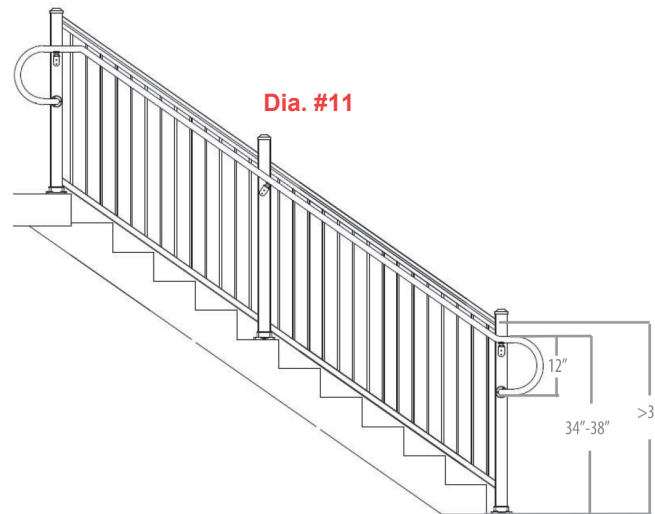


Snap each rail snap over the corresponding rail channel until properly seated (Dia. 10).



### STEP 5 – Install ADA Compliant Hand Rail

ADA handrail may be required (Dia. 11) for residential deck installations (check with local building code official). Maximum recommended span between posts is 6' on center. See separate ADA Handrail Installation Instructions for details and configurations.



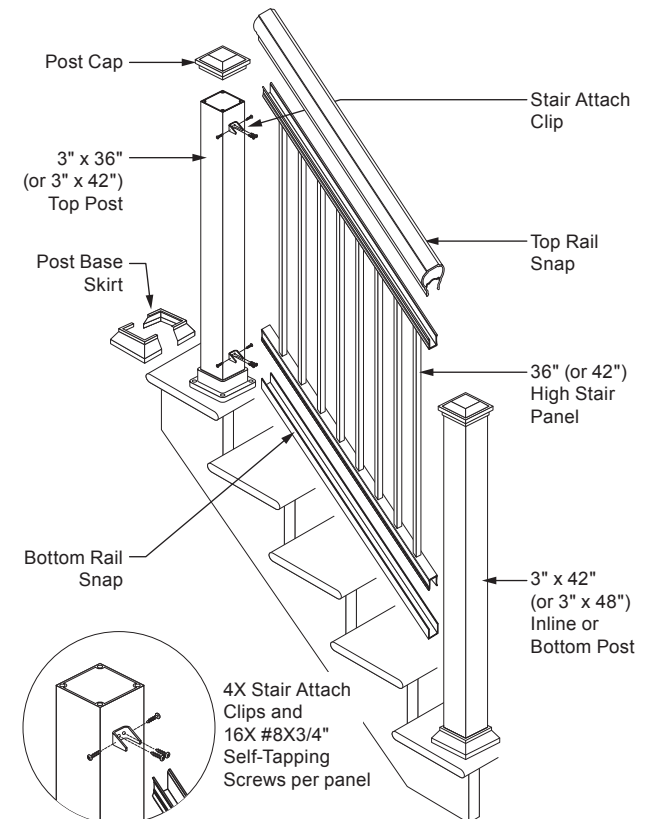
FOR OTHER INSTRUCTIONS AND VIDEOS, VISIT  
[WWW.ARIARAILING.COM](http://WWW.ARIARAILING.COM)

©2024 ARIA Railing®. All Rights Reserved. Version 1.4



## INSTALLATION INSTRUCTIONS

# ALUMINUM BALUSTER STAIR RAILING SYSTEM



# STAIR INSTALLATION INSTRUCTIONS

## ITEMS REQUIRED FOR INSTALLATION:

- Post-to-Surface Mounting Screws
- Cordless Drill/Driver
- Pencil
- Safety Glasses
- Miter Saw W/Non-Ferrous Blade
- Level
- Tape Measure
- 6" #2 Square Drive Bit
- 3/16" Drill Bit

## IMPORTANT NOTES:

- Do not install base plate covers until railing assembly is completed.
- If installing lighting, wiring must be installed prior to securing posts to deck surface and installing top rail snaps.
- Actual picket panel lengths: 6' Panels = 69.43"; 8' Panels = 91.31".
- 3" posts are required to reach 6' & 8' lengths.
- MAX. POST SPAN ON STAIR RAILING APPLICATIONS IS 70" ON CENTER.
- Stair railing panels are shipped at a 37° angle. Panels are adjustable and will accommodate 30-40° stair angles.
- **CAUTION:** Over adjusting stair panels will cause loose and rattling pickets.
- 42" post kits are required for middle and bottom stair posts with the 36" railing system.
- 48" post kits are required for middle and bottom stair posts with the 42" railing system.
- 45° deck angles require 22.5° clips applied to each side of the post. The 22.5° clip kit is sold separately.
- Two 3" posts are recommended on top of deck surface if stair riser is not at a 90° angle from deck frame.
- It is the responsibility of the installer to meet all local code requirements and obtain all required building permits. The installer should determine and implement appropriate installation techniques for each installation situation. The manufacturer or its reseller shall not be held responsible for improper or unsafe installation.

For other instructions and videos, visit [AriaRailing.com](http://AriaRailing.com).

## STEP 1 – Fit Stair Railing Panel

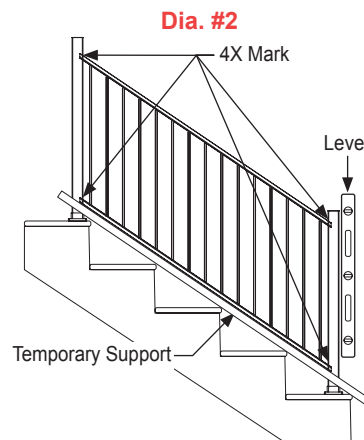
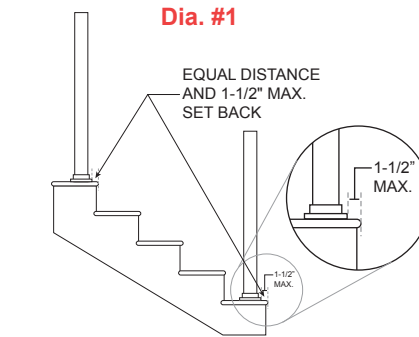
**IMPORTANT:** See separate post installation instructions for proper placement, support and mounting hardware for posts. **NOTE:** Front edge of post base plate should be equal distance from nose of stairs however no further than 1-1/2" set back (**Dia. 1**)

Position stair railing panel alongside 3" top stair post and temporarily installed 3" bottom post (**Dia. 2**).

Position stair panel approximately 1 1/2" above stair nosing. \*Tip - lay a 2x4 board flat on nose of stair treads. This will allow enough room for installation of bottom snap. Clamp stair panel against top and bottom 3" posts. Using a sharp #2 pencil, mark the stair channels at four (4) locations.

Remove clamps and cut stair panel at all four (4) locations. (**Dia. 3**) Take care to cut stair channels at appropriate stair angle. Use of Miter saw with a sharp non-ferrous blade is recommended.

Clean cut areas and apply touch-up paint on all exposed ends.



## STEP 2 – Install Stair Panel Attach Clips on Posts

After stair panel has been cut to proper size and angle, place the panel on the 2x4 board (or hold 1-1/2" above stair nosing), between the 3" posts. Use a #2 sharp pencil, draw a line across the top of the lower picket channel, 2 places (**Dia. 4**).

Remove panel and bottom post. Attach stair panel attach clips at marked location as per (**Dia. 5**) and fasten with #8x3/4" Self-tapping Screws.

