

# ALUMINUM BALUSTER GATE INSTALLATION INSTRUCTIONS

## SUGGESTED TOOLS:

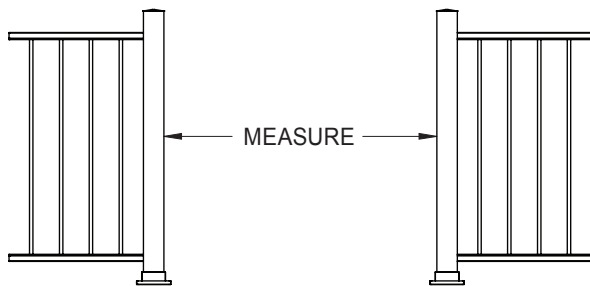
- Cordless Drill
- Pencil
- Tape Measure
- #2 Sq. Drive Bit
- Safety Glasses
- 1/8" Drill Bit
- Miter Saw w/ Non-Ferrous Blade

## 1 REMOVE ALL ITEMS FROM PACKAGE

### Gate Kit Includes:

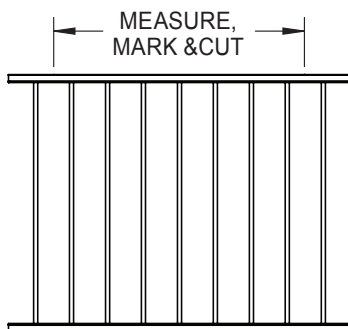
- One (1) - Picket Panel
- Two (2) - Snap Covers
- Two (2) - Gate End Posts w/ Welded Rods
- Sixteen (16) - 3/4" Self-tapping Screws
- Two (2) - Self-Closing Hinges
- One (1) - Locking Latch Kit w/ Key
- Four (4) - Gate Support Brackets
- Sixteen (16) - Color Matched Self-tapping Screws

## 2 MEASURE GATE OPENING BETWEEN POSTS

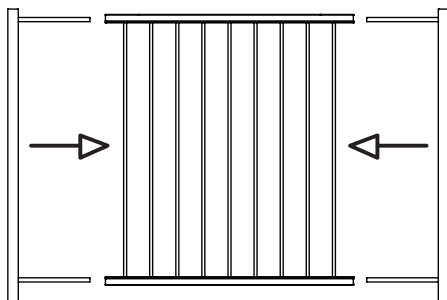


## 3 CUT GATE PANEL

Picket Gate Panel (without Gate End Posts) must be exactly 4.5" less than gate opening. Deduct 4.5" from opening measurement and cut both panel ends, leaving equal picket spacing.

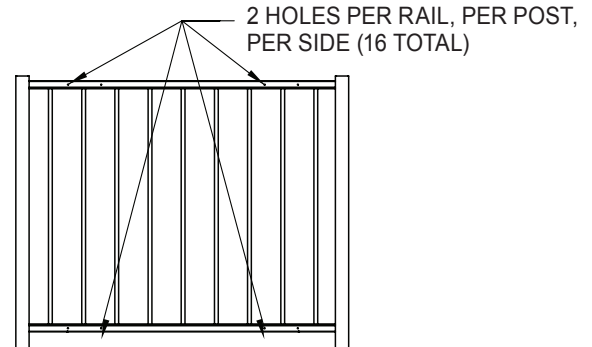


## 4 INSERT GATE END POSTS INTO PANEL UPPER AND LOWER HORIZONTAL CHANNELS.



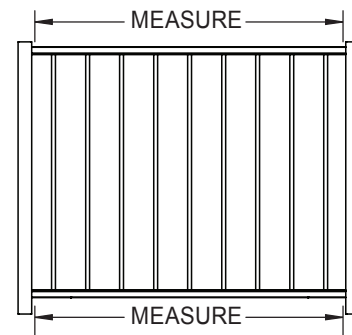
## 5 SECURE GATE ENDS TO PANEL

Drill 16 - 1/8" holes as per diagram and use 3/4" Self-tapping Screws to secure gate ends to panel.



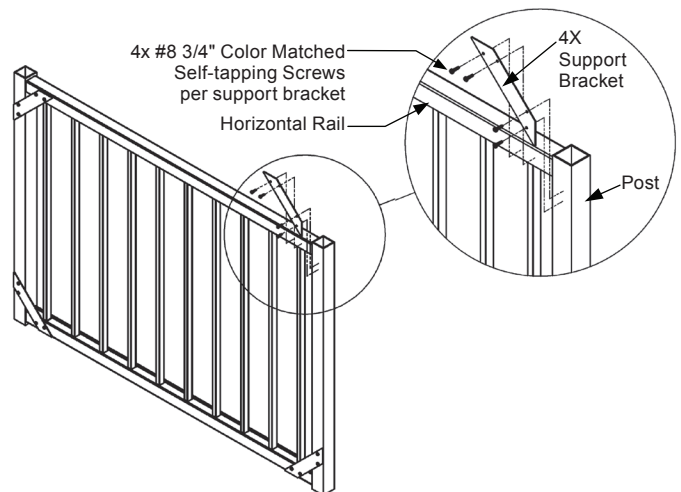
## 6 INSTALL TOP AND BOTTOM SNAP COVERS

Measure between Gate End Posts, deduct 1/16", cut top/bottom snap covers. Press snap covers onto horizontal channels.



## 7 INSTALL SUPPORT BRACKETS

Attach one Support Bracket to Post using 2x #8 x 3/4" Self-tapping Screws as shown, then press Support Bracket against Horizontal Rail, drill 2x 1/8" pilot holes and secure using remaining 2x #8 x 3/4" Self-tapping Screws. Repeat for remaining brackets.



## 8 INSTALL GATE HINGES

Install gate hinges per instructions provided in hinge package.

## 9 INSTALL GATE LATCH

Install gate latch per instructions provided in latch package.